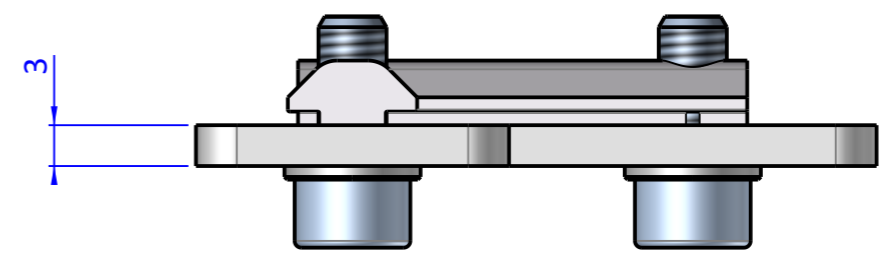
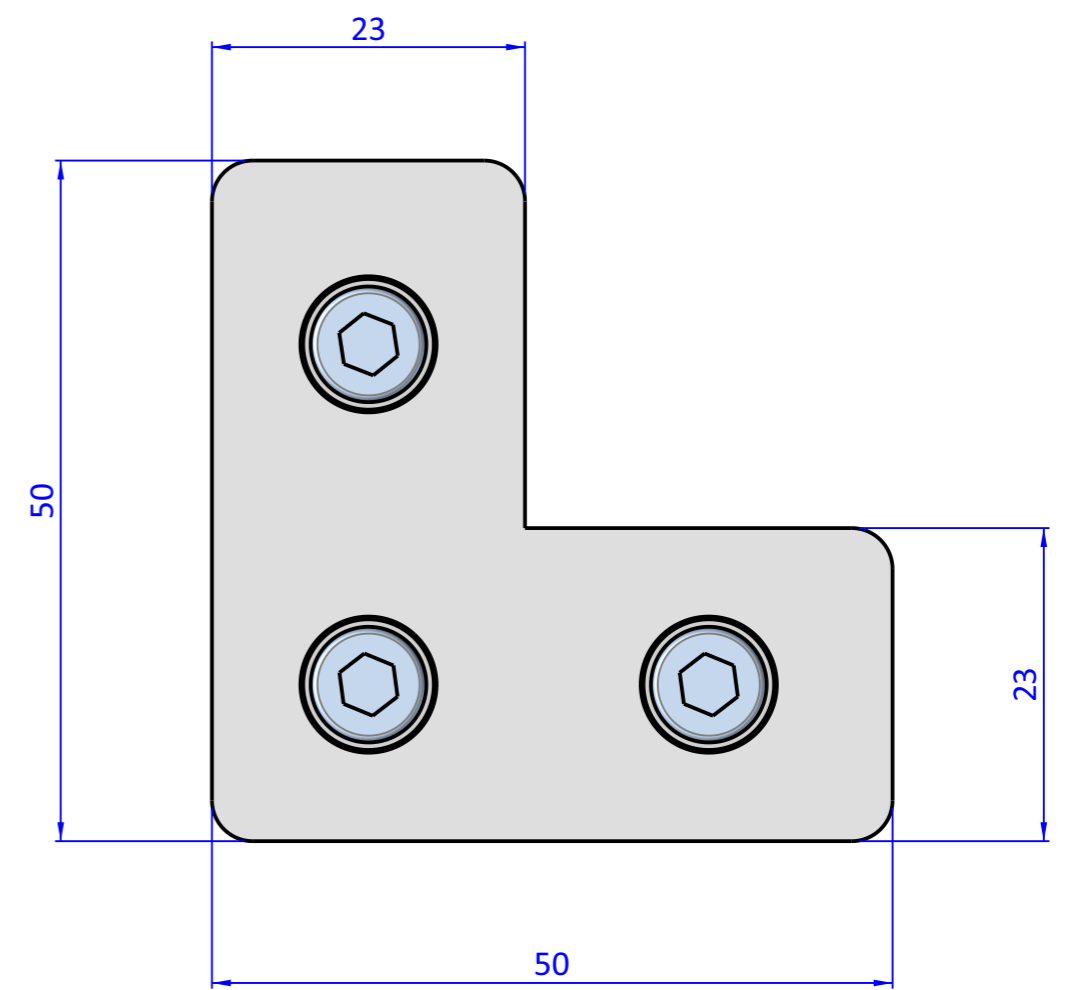
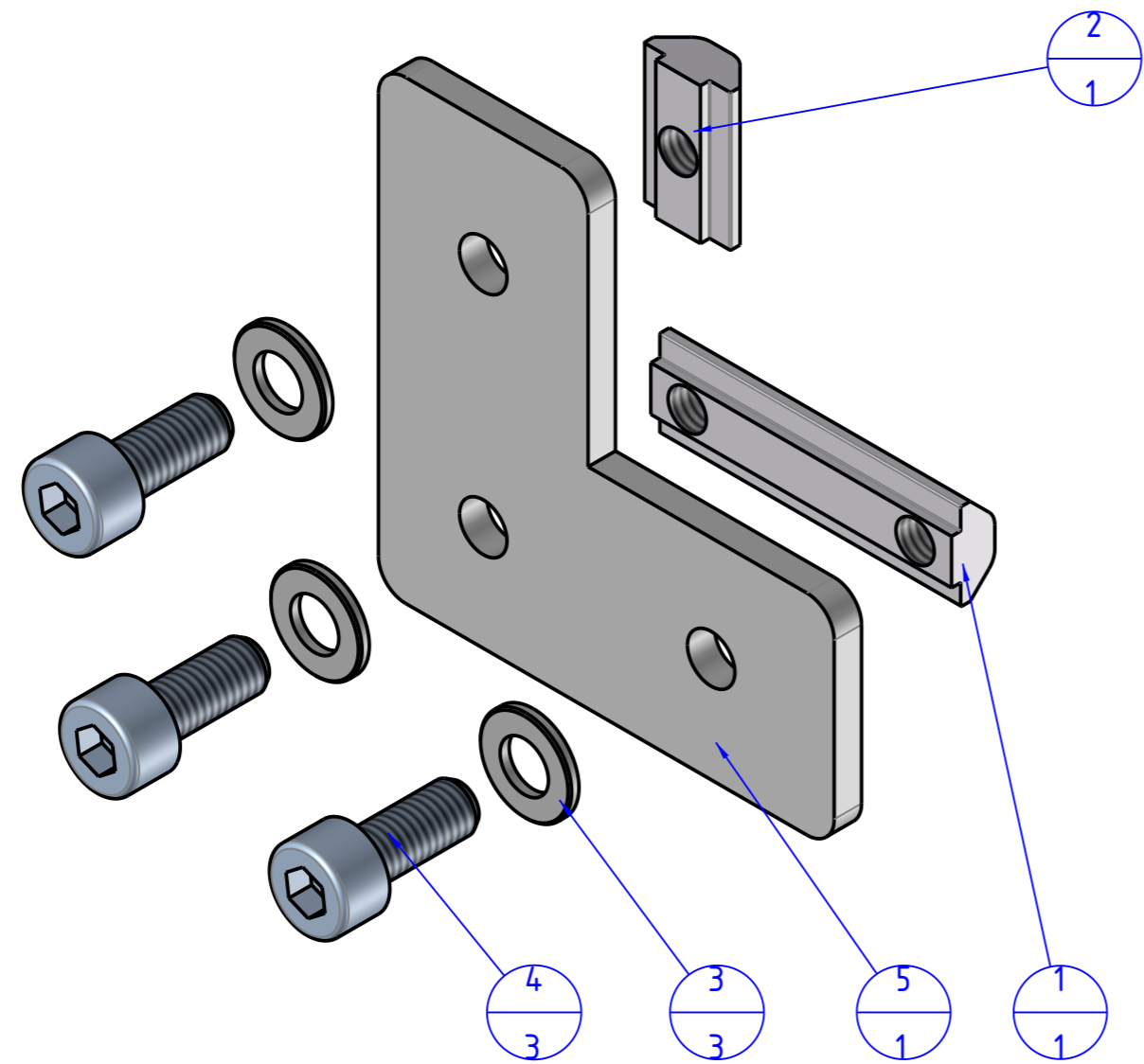



THE PROPERTY OF THE DRAWING IS ESTABLISHED BY LAW. IT IS FORBIDDEN TO PRODUCE OR SHOW IT TO THIRD PART, WITHOUT A WRITTEN AGREEMENT.

Item	Name	Q.ty
1	CA.GWP.5.25.F	1
2	CA.GWP.5U.F	1
3	R.5	3
4	V.TCE5x12	3
5	VBL.50.50	1



Format A3
UNI 936-76

 FPS FPSERVICES AUTOMATION		DESIGNED FROM		REVIEW
		FPS Automation		A
GENERAL TOLERANCE		DATE		WEIGHT
UNI - ISO 2768		-		0,056kg
CLASSE f		CODE		
		CONNESSIONE "L" 25x25		CA.VBL.50.50.5